

# LANCASTER

CUSTOM CRAFTED UPHOLSTERY



Three Piece Sectional  
168W



Two Piece Sectional  
144W

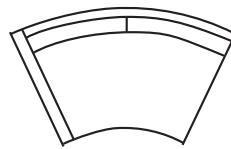
## CARMEL CURVED SECTIONALS 8690

H31/33 AH24 SD24 SH19

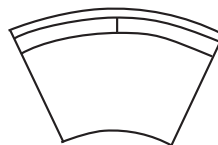
Base Depth 40" • Curved Unit Overall Depth 44"

### Carmel Curved Sectional Components

84"W LAF Open End  
46"W at Front Corners



80"W Armless  
42"W at Front Corners

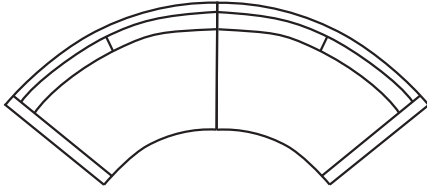


**Curved units cannot be combined with straight  
back standard sectional components.**

Carmel includes blade style oak or maple legs • Available slipcovered  
Toss Pillows Sold Separately • Call for Pricing and Yardage Estimates •

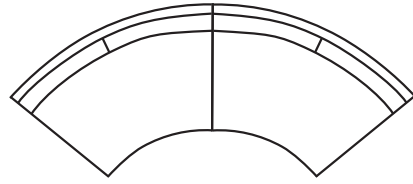
# CARMEL CURVED SECTIONALS

**LAF & RAF 1-Arm 84" Units**



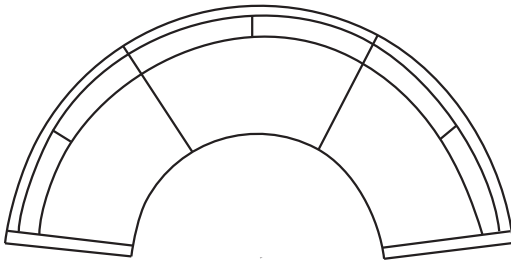
144 x 64

**LSF & RSF without Arms**



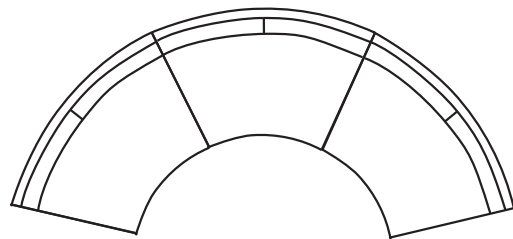
142 x 64

**LAF & RAF 1-Arm 84" Units • One Armless 80" Unit**



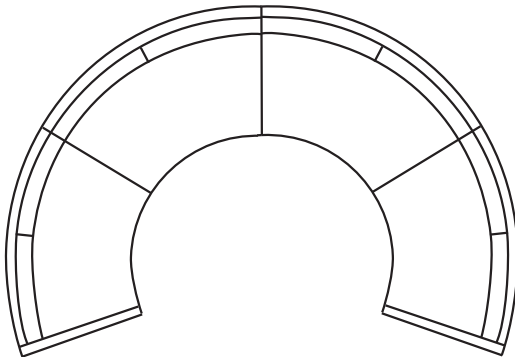
168 x 84

**Three Armless 80" Units**



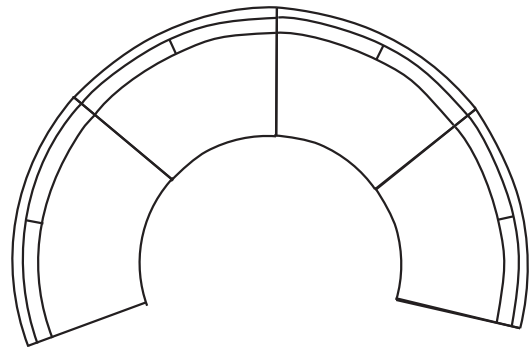
168 x 84

**LAF & RAF 1-Arm 84" Units • Two Armless 80" Units**



168 x 120

**Four Armless 80" Units**



168 x 120

Overall dimensions for curved sectionals are estimates based on per unit sizes  
Carmel includes blade style oak or maple legs • Available slipcovered  
• Call for Pricing and Yardage Estimates •